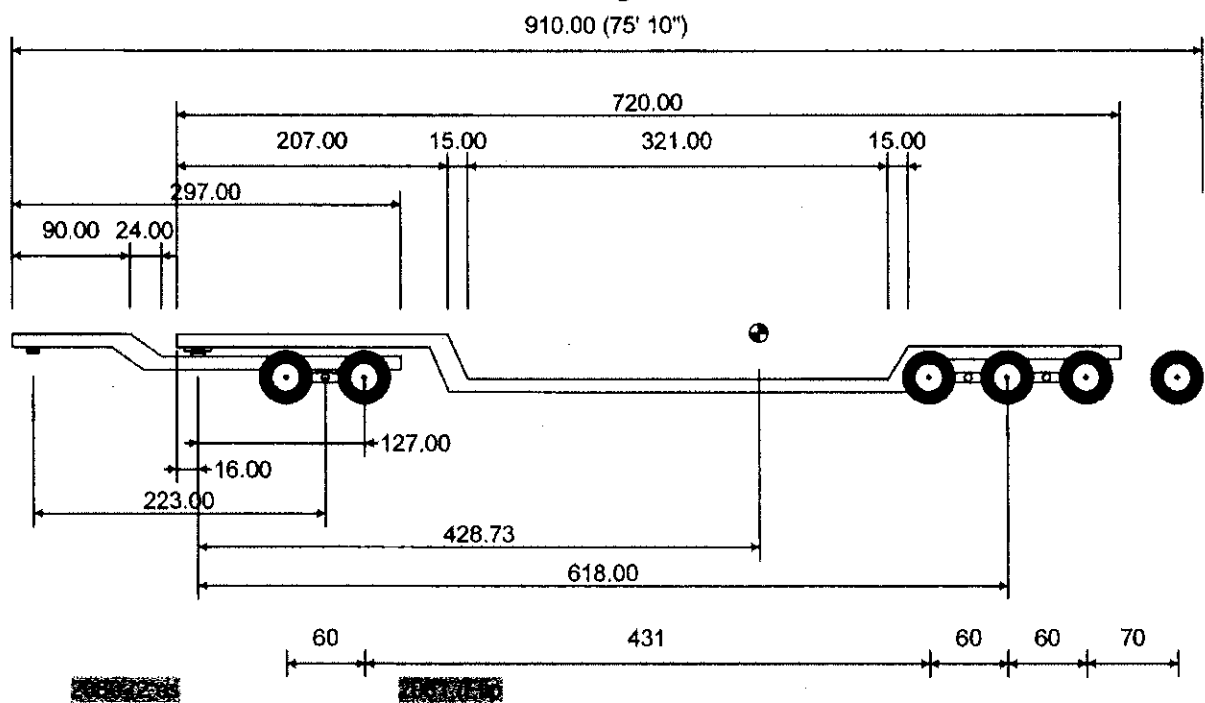


Jeep Dolly + mini Deck

600 pounds

Printout of Load Xpert software

All lengths in inches and weights in pounds



12" height

(Total =681)

Axle Loads:

	#1 (lb)	#2 (lb)	#3 (lb)	Total (lb)
Tare:	10338	10875	3625	24837
Accessories:	0	0	0	0
Payload:	0	0	0	0
Total:	10338	10875	3625	24837
Desired/(GVW)*:	44091	-	-	-
GAWR/(GVWR)*:	50000	-	-	-

	Unit 1 (Jeep)	Unit 2 (Lowbed)	Vehicle
Tare weight (lb):	6620	22000	28620
Accessories(lb):	0	0	0
Payload (lb):	0	0	0
Total (lb):	6620	22000	28620
Overall C.G. height from ground (in):	N/A	N/A	

Title:	Company:	Date:
	Ref.:	By: